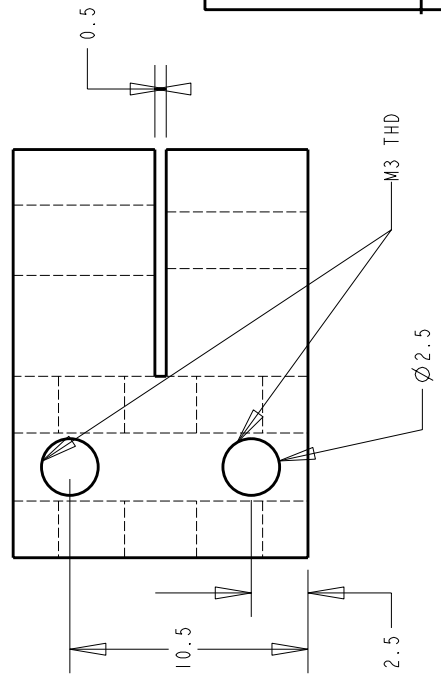
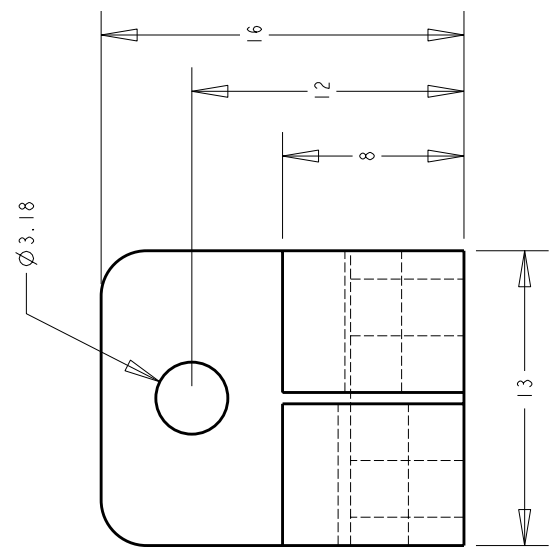
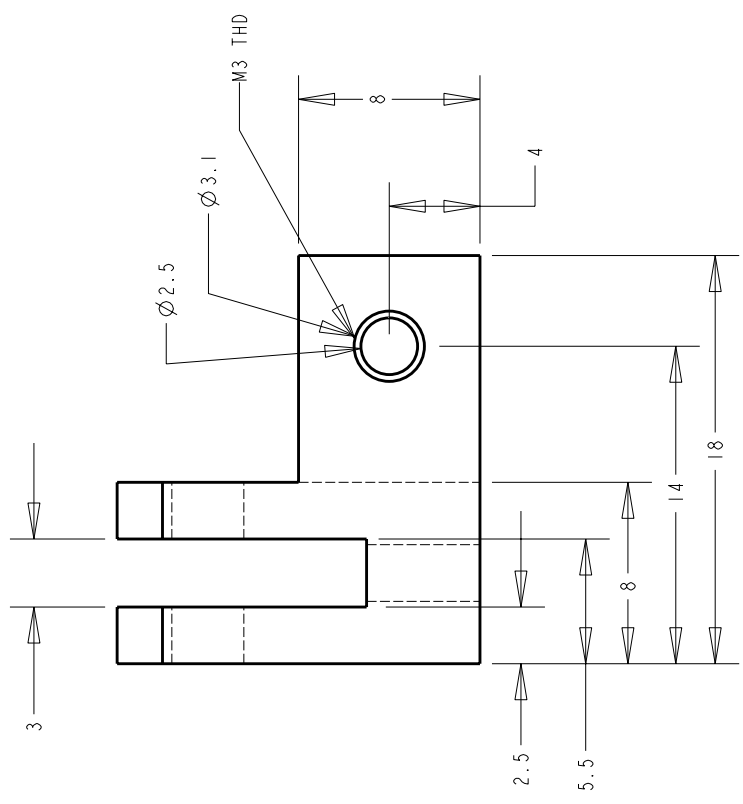


REV	Description	ECN	Date
-----	-------------	-----	------



RACE CAR PROJECT		MIT - 2.810 - Group F	
Created by: LPS		STEERING PILLOW BLOCK	
Modified by:		DELTRIN	
SCALE 3.000		Sheet: 1 of 1	