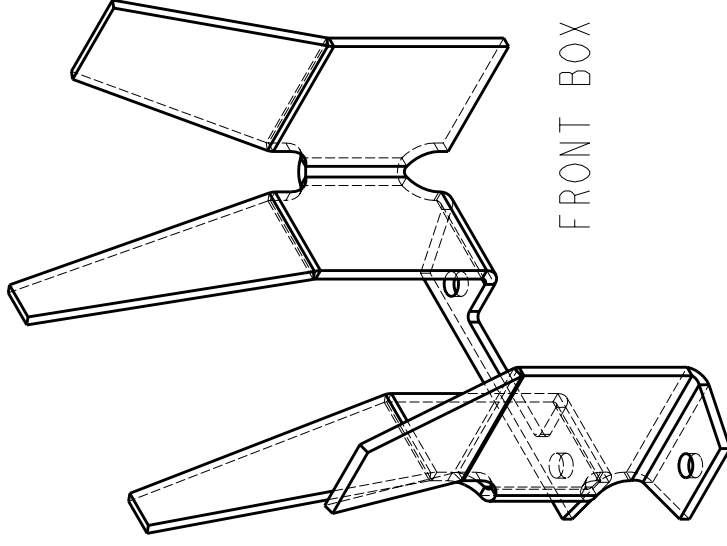
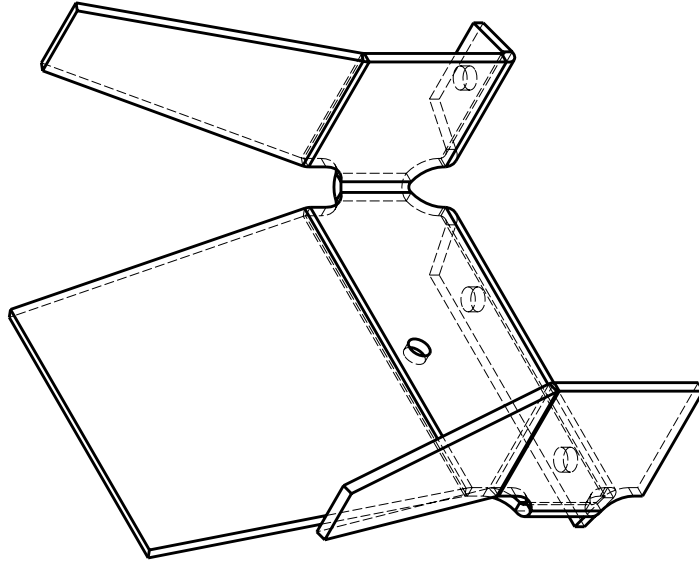


REV	Description	ECN	Date
-----	-------------	-----	------

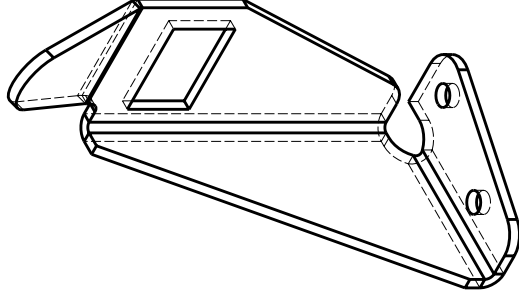


FRONT BOX BRACKET

BACK BOX BRACKET



CONTROL BOX BRACKET



SCALE 1.000

**RACE CAR  
PROJECT**

**MIT - 2.810 - Group F**

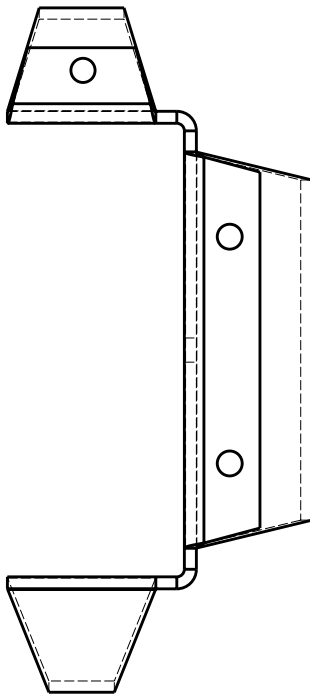
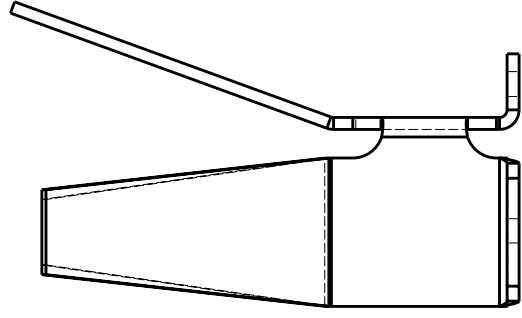
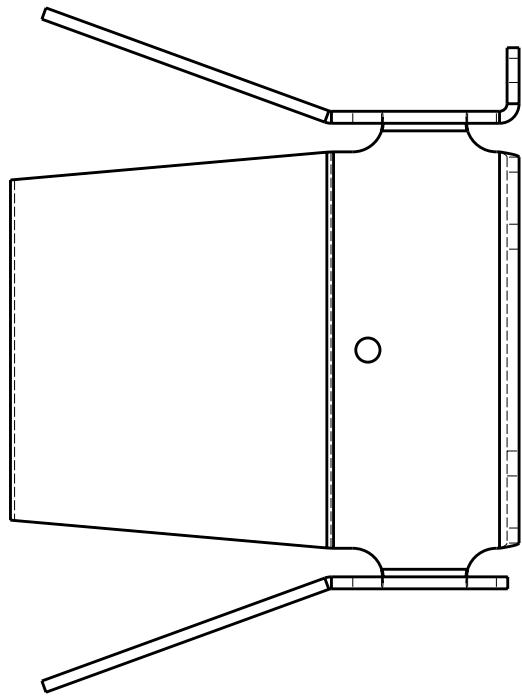
CONTROL BOX BRACKETS

Created by: LPS

Modified by:

Sheet: 1 of 5

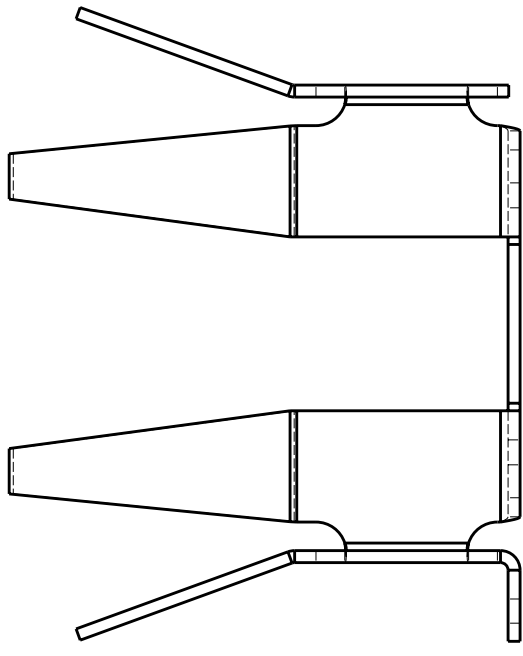
REV	Description	ECN	Date



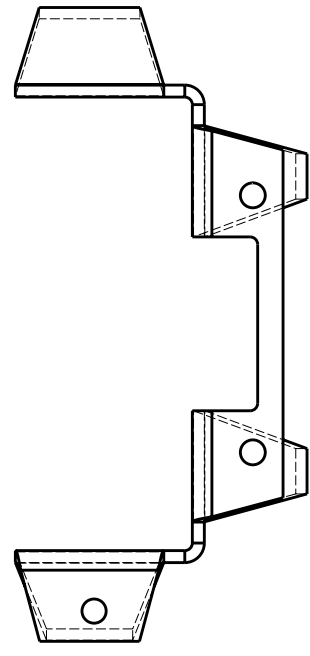
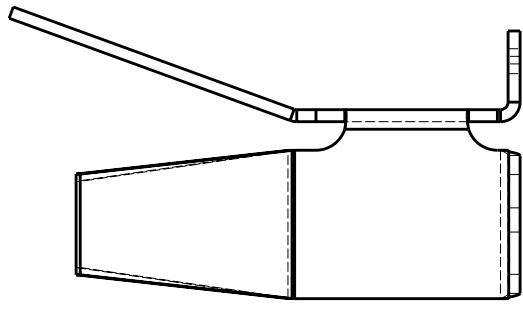
NOTE:  
 FOR EXACT DIMENSIONS SEE THE UNFOLDED  
 DXF FILE FOR WATERJET.

SCALE 1.000

<b>RACE CAR PROJECT</b>	<b>MIT - 2.810 - Group F</b>
BACK BOX BRACKET	
Created by: LPS	
Modified by:	
Sheet: 2 of 5	



SCALE 1:000



REV	Description	ECN	Date
-----	-------------	-----	------

**MIT - 2.810 - Group F**

FRONT BOX BRACKET

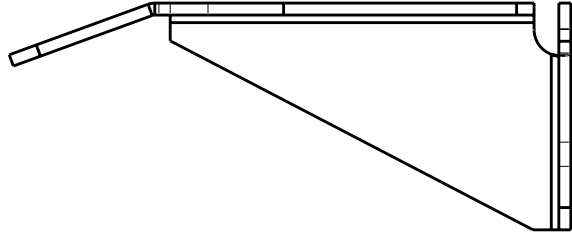
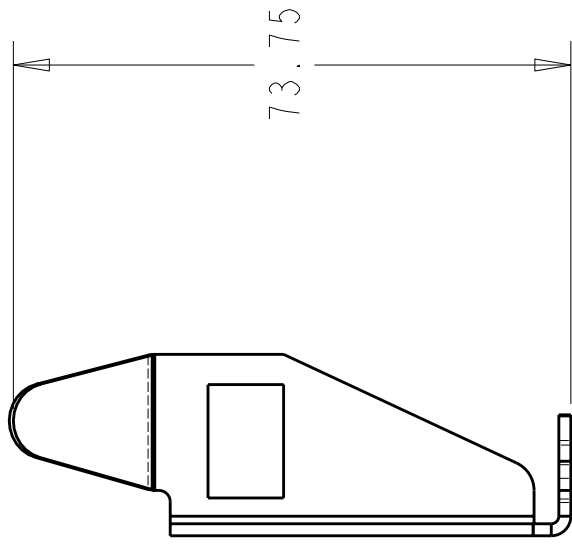
**RACE CAR PROJECT**

Created by: LPS

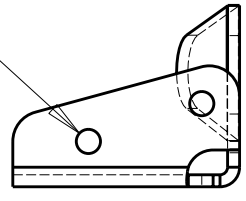
Modified by:

Sheet: 3 of 5

REV	Description	ECN	Date



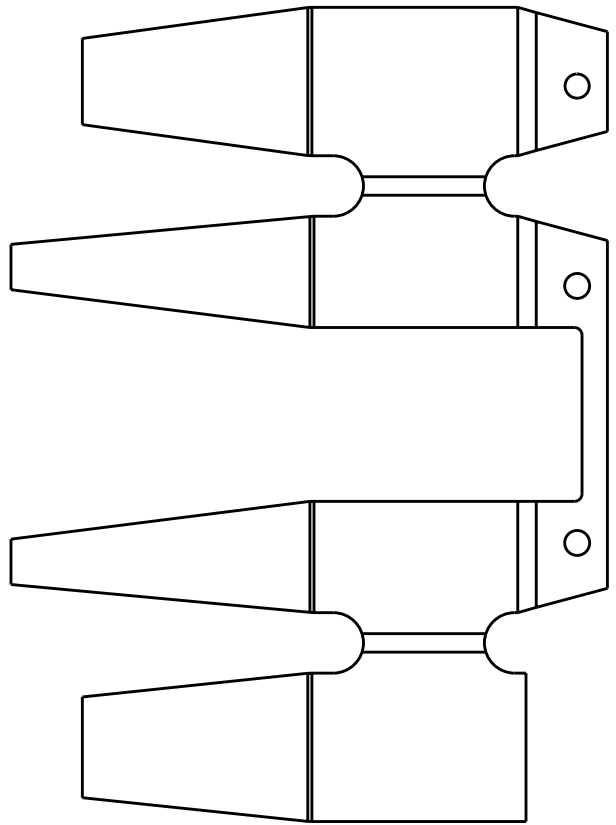
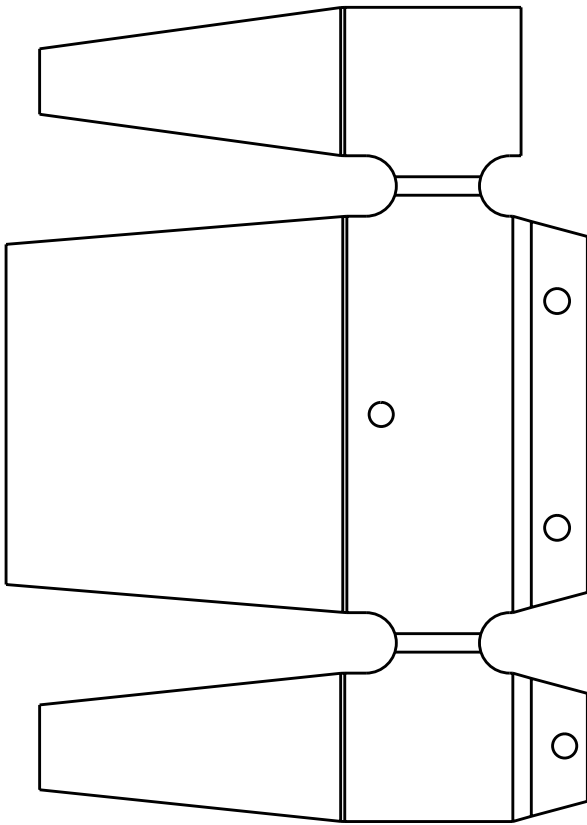
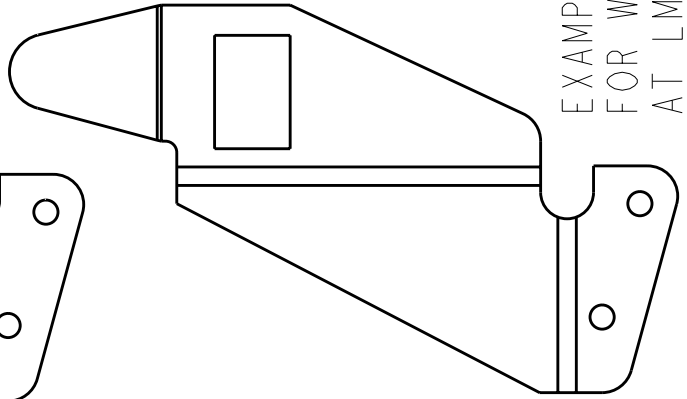
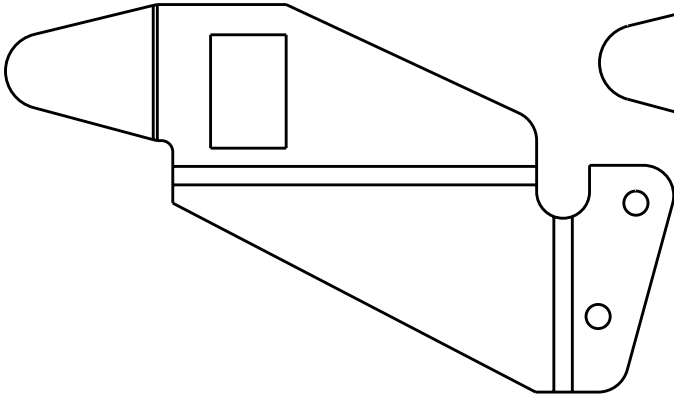
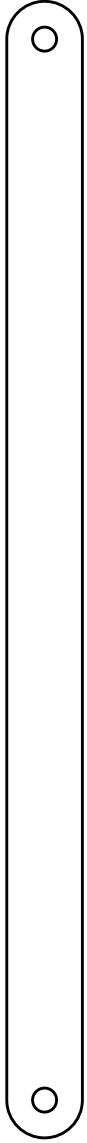
Ø 3.2 TYP



DIMENSIONS FOR REFERENCE ONLY  
SEE DXF FILE FOR WATERJET TOOLPATHS

SCALE 1.000

<b>RACE CAR PROJECT</b>	<b>MIT - 2.810 - Group F</b>
CONTROL BOX BRACKET	
Created by: LPS	
Modified by:	
Sheet: 4 of 5	



EXAMPLE OF DXF FILE  
FOR WATERJET MACHINING  
AT LMP. HERE IS ALL THE SMALL  
SHEETMETAL HARDWARE  
NECESSARY FOR ONE CHASSIS.